

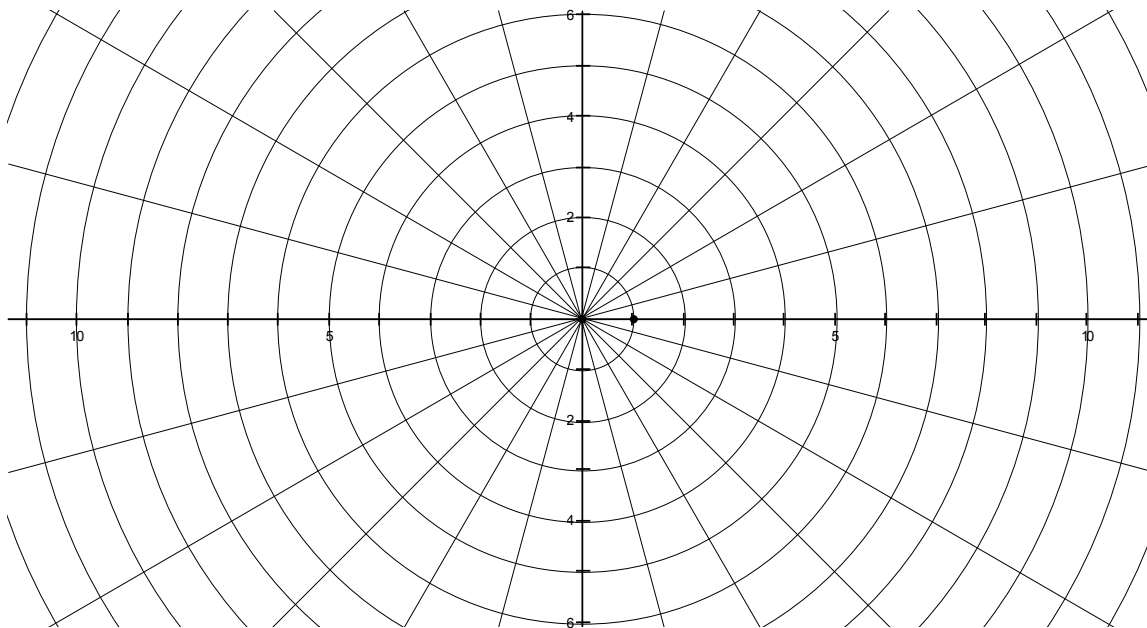
Lesson Plan 10 - Polar Coordinates 10.3

- 1) Take attendance
- 2) Homework questions?

Polar Coordinates.

What are Polar Coordinates?

r and θ



Each point has two coordinates (r, θ) instead of (x, y)

Polar coordinates are not unique, for example

$$(0, 1) = (0, 2)$$

$$(1, 0) = (1, 2\pi)$$

$$(1, 0) = (-1, \pi)$$

Converting from Polar to Cartesian Coordinates:

$$x = r \cos(\theta)$$

$$y = r \sin(\theta)$$

Converting from Cartesian to Polar Coordinates:

$$r = \sqrt{x^2 + y^2}$$

$$\theta = \tan^{-1}\left(\frac{y}{x}\right) \text{ if } x \neq 0$$

Note that if $x=0$ then $\theta = \frac{\pi}{2}$ or $\theta = \frac{3\pi}{2}$

Also note that the range of \tan^{-1} is $\left[-\frac{\pi}{2}, \frac{\pi}{2}\right]$ so you need to look at the sign of x and y to find the right quadrant:

(+,+) - first

(-,+) - *second

(-,-) - *third

(+,-) - fourth

For the second and third quadrant you will need to add π to get the right angle.

What is a polar equation?

$$r=5$$

$$r=\theta$$

$$r = \cos(\theta)$$

Have students graph $r=1+\cos(\theta)$ on their calculators. This is what is known as a "cartoid" because it looks like a heart.

Have students graph $r=2\cos(\theta)$ on their calculators. This should be a circle.

Have students graph $r=\cos(2\theta)$ on their calculators. This should be a clover leaf.

Symmetry in Polar coordinates.

A) If an equation is unchanged by substituting $-\theta$ for θ then it is symmetric about the line $\theta=0$ or the x axis.

B) If an equation is unchanged by substituting $-r$ for r then it is symmetric about the origin.

C) If the equation is unchanged by replacing θ with $\pi - \theta$, then it is symmetric about the line $\theta = \frac{\pi}{2}$

Area of a sector

The area of a circle is πr^2 .

So the area per radian of θ is $\frac{\pi r^2}{2\pi} = \frac{1}{2} r^2$

So if we have a curve in polar coordinates where r is a function of θ , $r = f(\theta)$ then the area contained between the limits of the curve and the curve is given by

$$A = \int_a^b \frac{1}{2} [f(\theta)]^2 d\theta$$

Example 1: Find the area enclosed by one loop of the four leaved rose $r = \cos(2\theta)$.

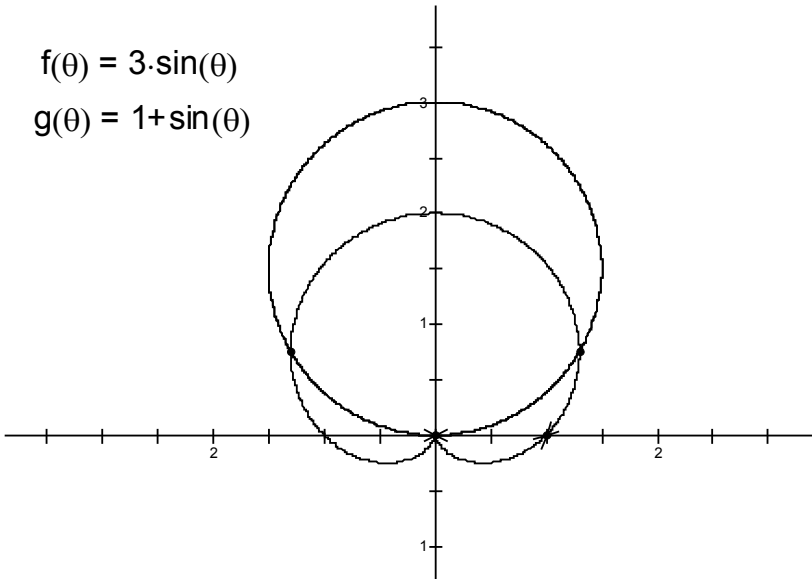
The area is swept out over the interval $\theta \in \left[-\frac{\pi}{4}, \frac{\pi}{4}\right]$ so the area is

$$A = \int_{-\pi/4}^{\pi/4} \frac{1}{2} [\cos(2\theta)]^2 d\theta = \int_{-\pi/4}^{\pi/4} \frac{1}{4} (1 + \cos(4\theta)) d\theta = \frac{1}{4} \left[\theta + \frac{\sin(4\theta)}{4} \right]_{-\pi/4}^{\pi/4} =$$
$$\frac{1}{4} \left[\frac{\pi}{4} + \frac{\sin(\pi)}{4} - \left(-\frac{\pi}{4} + \frac{\sin(-\pi)}{4} \right) \right] = \frac{\pi}{8}$$

Example 2: Find the area of the region that lies inside the circle $r = 3$ and outside the cardioid $r = 1 + \sin \theta$.

$$f(\theta) = 3 \cdot \sin(\theta)$$

$$g(\theta) = 1 + \sin(\theta)$$



It's interesting to note that both curves go through the origin, but $f(0) = 0$ but $g\left(\frac{3\pi}{2}\right) = 0$. Since $(0,0) = \left(0, \frac{3\pi}{2}\right)$ they intersect at the origin.

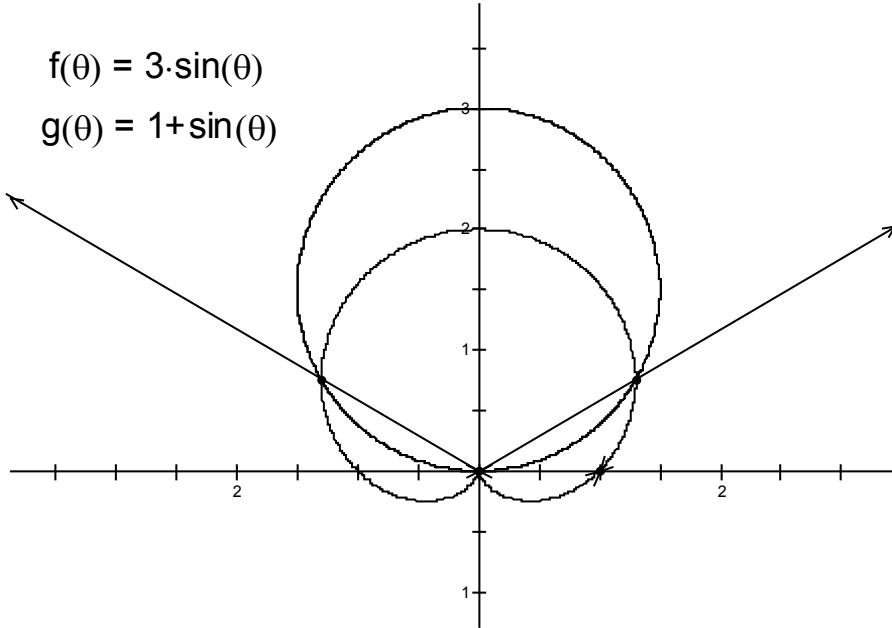
Where else do they intersect?

$3\sin(\theta) = 1 + \sin(\theta)$ at $\sin(\theta) = \frac{1}{2}$. Looking at the diagram one can see that these are

the angles $\theta = \frac{\pi}{6}$ and $\theta = \frac{5\pi}{6}$.

$$f(\theta) = 3\sin(\theta)$$

$$g(\theta) = 1 + \sin(\theta)$$



$$\text{So } A = \frac{1}{2} \int_{\pi/6}^{5\pi/6} (3\sin(\theta))^2 d\theta - \frac{1}{2} \int_{\pi/6}^{5\pi/6} (1 + \sin \theta)^2 d\theta$$

Arc Length in Polar Coordinates

To find the length of a polar curve $r = f(\theta)$ for $a \leq \theta \leq b$ we use the equations

$$x = r \cos \theta = f(\theta) \cos(\theta)$$

$$y = r \sin \theta = f(\theta) \sin(\theta)$$

with θ as a parameter.

Using the arc length formula we get

$$L = \int_a^b \sqrt{\left(\frac{d}{d\theta} f(\theta) \cos(\theta)\right)^2 + \left(\frac{d}{d\theta} f(\theta) \sin(\theta)\right)^2} d\theta =$$

$$L = \int_a^b \sqrt{(\cos(\theta) f'(\theta) - \sin(\theta) f(\theta))^2 + (\sin(\theta) f'(\theta) + \cos(\theta) f(\theta))^2} d\theta =$$

$$L = \int_a^b \sqrt{(\cos(\theta) f'(\theta))^2 - 2 \cos(\theta) \sin(\theta) f(\theta) f'(\theta) + (\sin(\theta) f(\theta))^2 + (\sin(\theta) f'(\theta))^2 + 2 \cos(\theta) \sin(\theta) f(\theta) f'(\theta) + (\cos(\theta) f(\theta))^2} d\theta =$$

$$L = \int_a^b \sqrt{(f'(\theta))^2 + (f(\theta))^2} d\theta$$

Example 4:

Find the length of the cardioid with $r = 1 + \sin \theta$.

Note this cardioid is generated by $\theta \in [0, 2\pi]$

$$f(\theta) = 1 + \sin(\theta)$$

$$f'(\theta) = \cos(\theta)$$

$$L = \sqrt{\int_0^{2\pi} (1 + \sin(\theta))^2 + \cos^2(\theta) d\theta} = \int_0^{2\pi} \sqrt{1 + 2 \sin(\theta) + \sin^2(\theta) + \cos^2(\theta)} d\theta =$$

$$\int_0^{2\pi} \sqrt{2 + 2 \sin(\theta)} d\theta = 8 \text{ (By Calculator)}$$